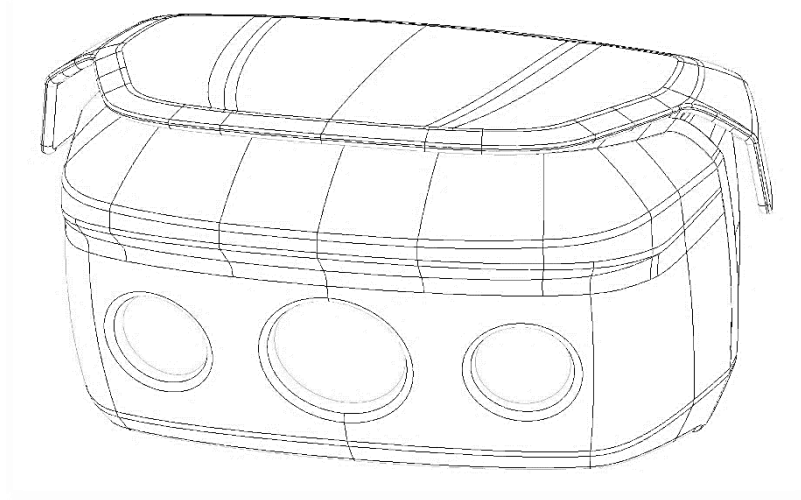




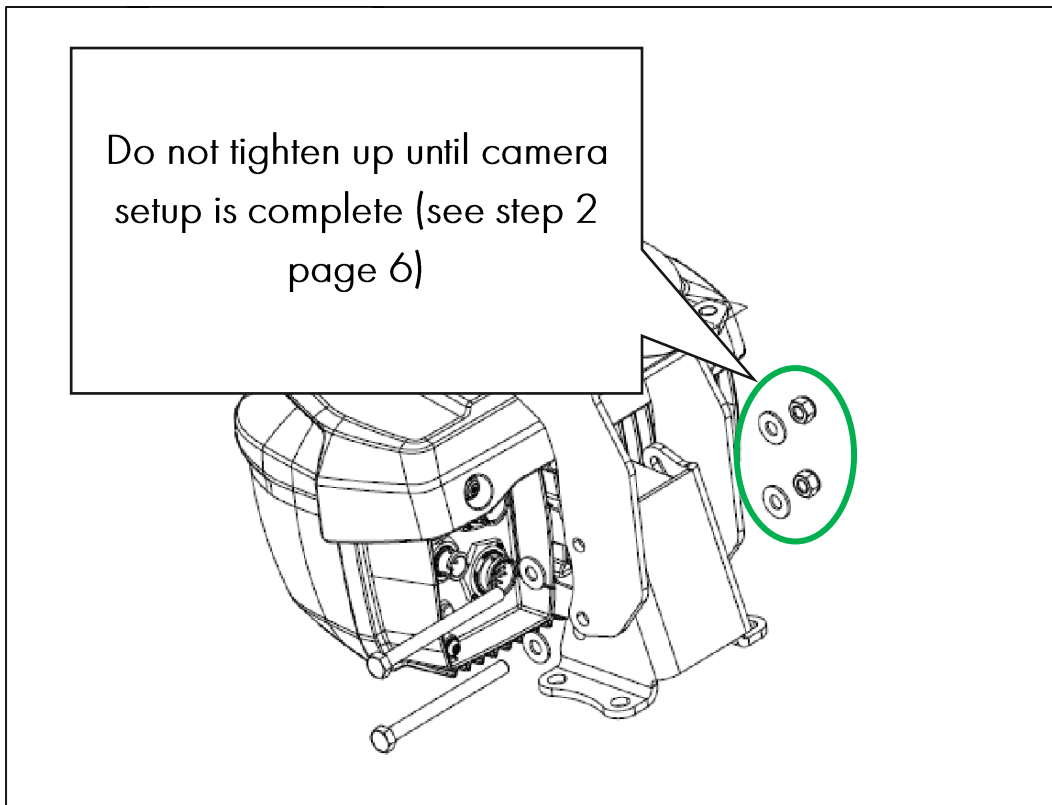
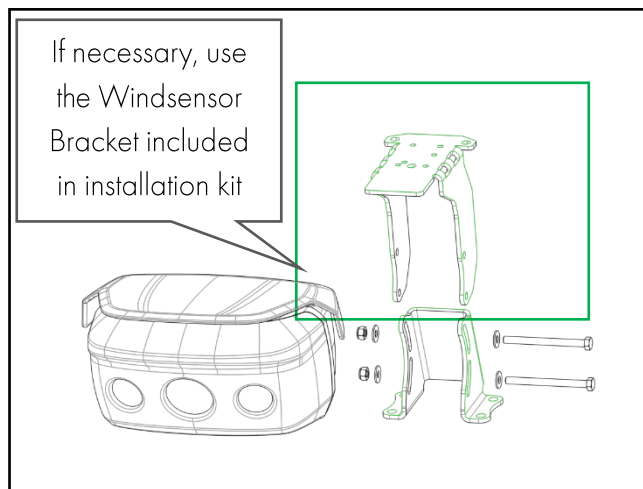
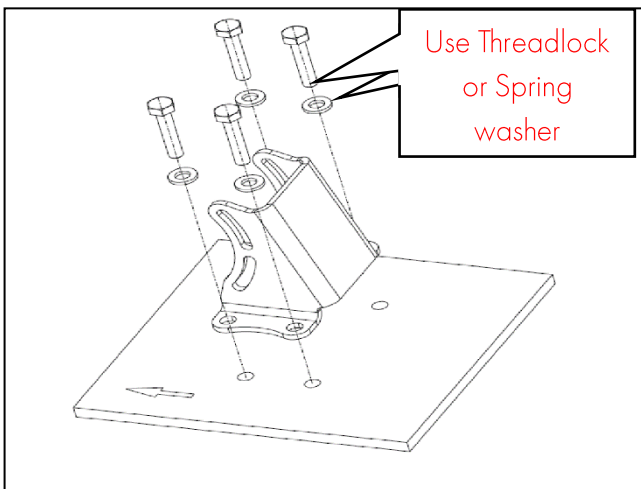
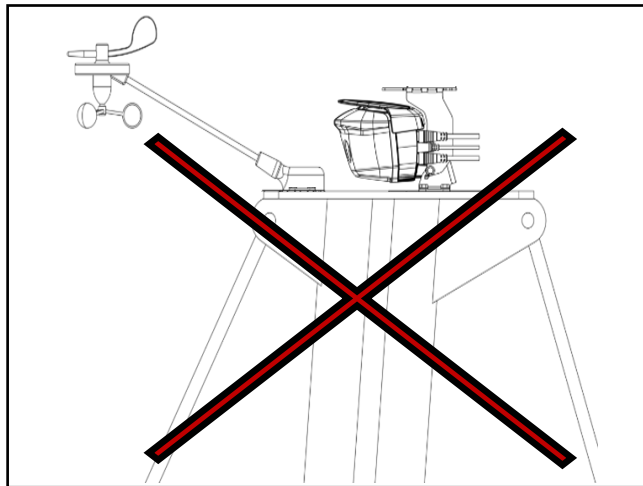
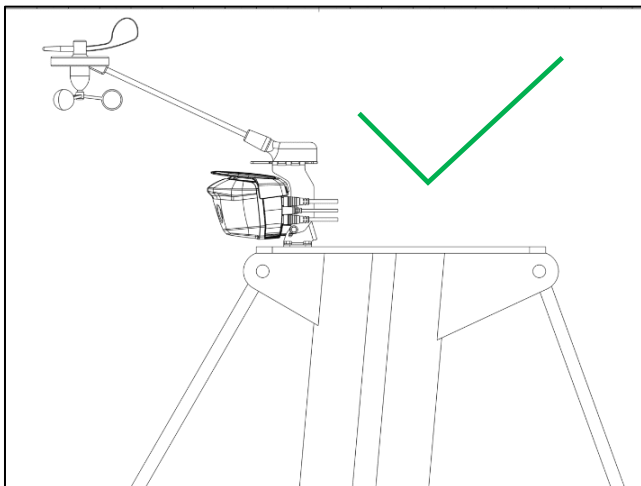
# Quick Installation guide

Offshore 320 & 640

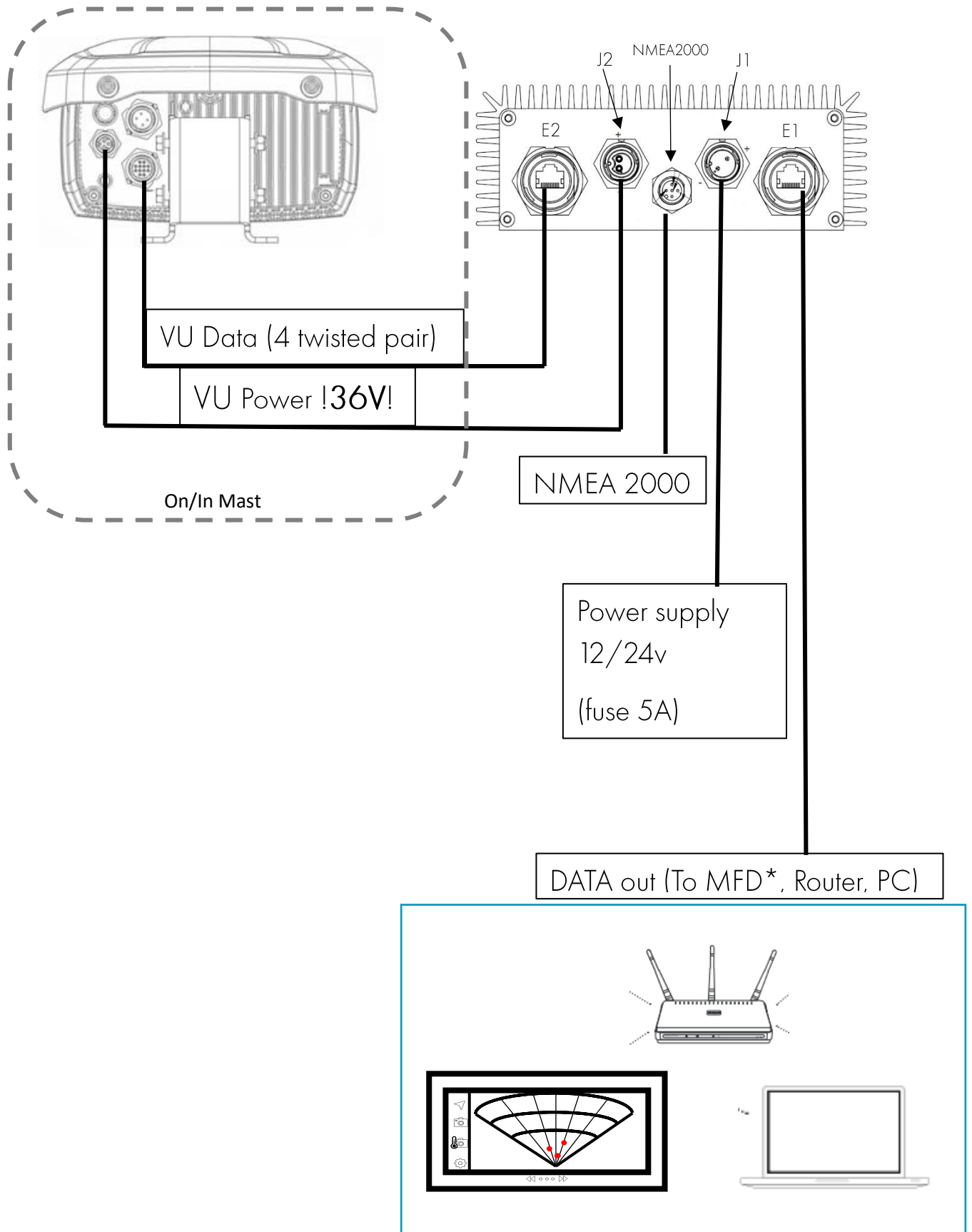


Version	1.1		
Filename	Quick_Installation_guide_offshore_V1.1.pdf		
Creation Date	23/12/2021		
	Department/Function	Name Phone/Email	Signature
Author	Service/Engineer	Tugdual Rio tugdual.rio@bsb-marine.com	
Review	Service/Manager	Fabien Boucly fabien.boucly@bsb-marine.com	
Released			
Document Status [Work, Draft, Released]			Released

# V.U. INSTALLATION

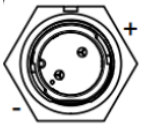
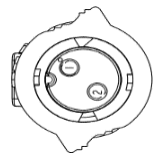


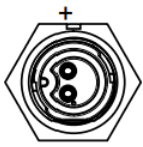

# P.U. INSTALLATION

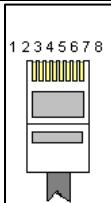



\*Router is needed for B&G's MFD

# CONNECTORS INFORMATIONS

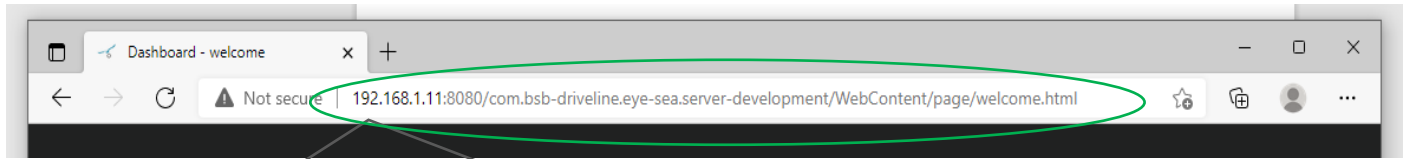
J1 PU plug	J1 connector	Power in Cable
Positive (+)	Pin 2	White
Negative (-)	Pin 1	Black
		

J2 PU plug	J2 connector	Power Cable
Positive (+)	Pin 2	# 1
Negative (-)	Pin 1	# 2
		

	E1 connector Data output (Standard ethernet RJ45)	E2 connector VU Data
1	orange/white	brown
2	orange	white
3	green/white	green
4	blue	yellow
5	blue/white	blue
6	green	red
7	brown/white	pink
8	brown	grey
		

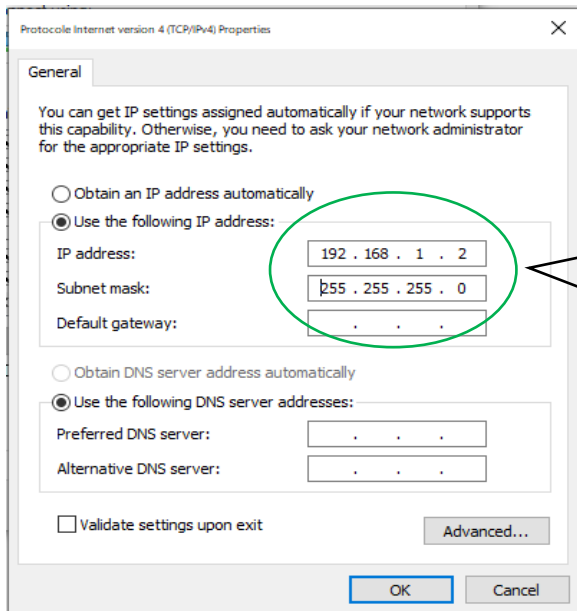
# FIRST START

- Initial configuration must be done by direct ethernet connexion to a pc

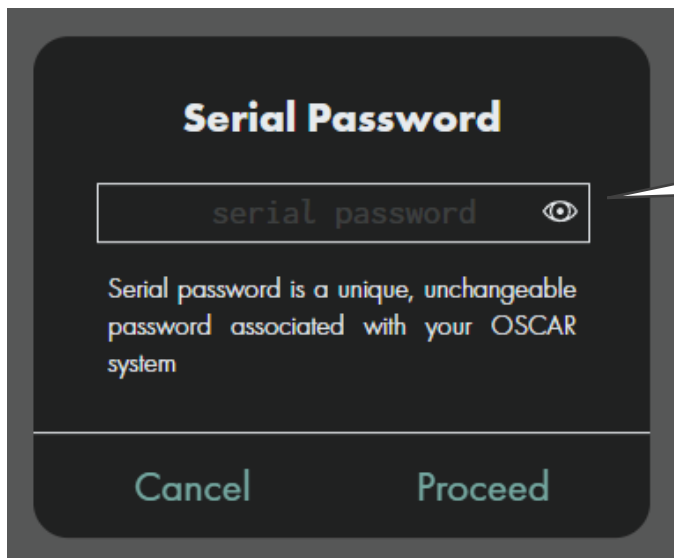


Use the following link to access the OSCAR homepage:

<http://192.168.1.11/WebContent/page/welcome.html>



Static IP address must be set manually  
IP address: 192.168.1.2  
Subnet mask: 255.255.255.0

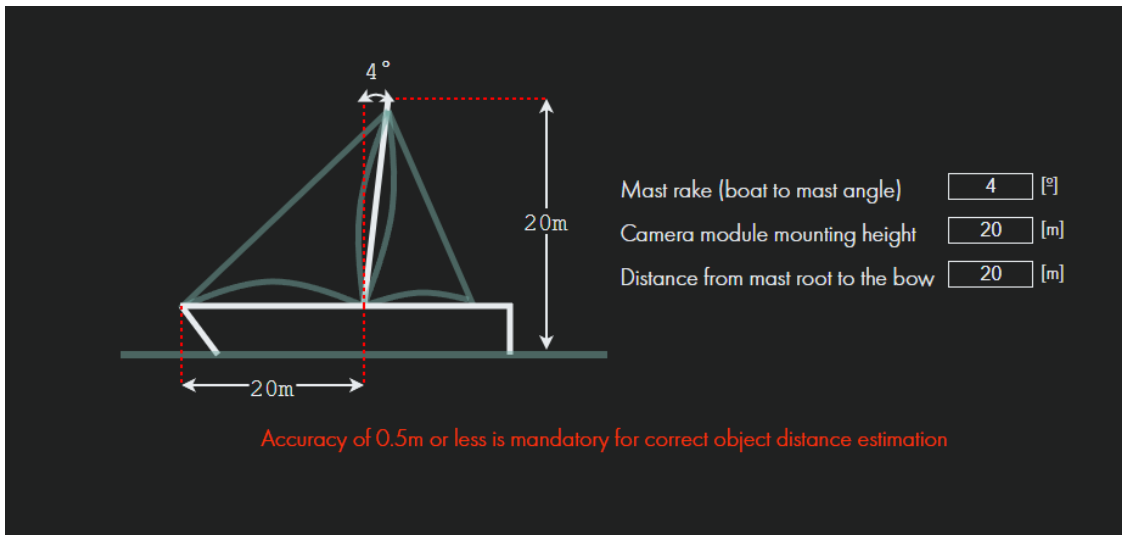


Enter serial password received after Registration

# SYSTEM SETUP

Setting -> System -> Setup -> Boat parameters and camera calibration:

## STEP 1:



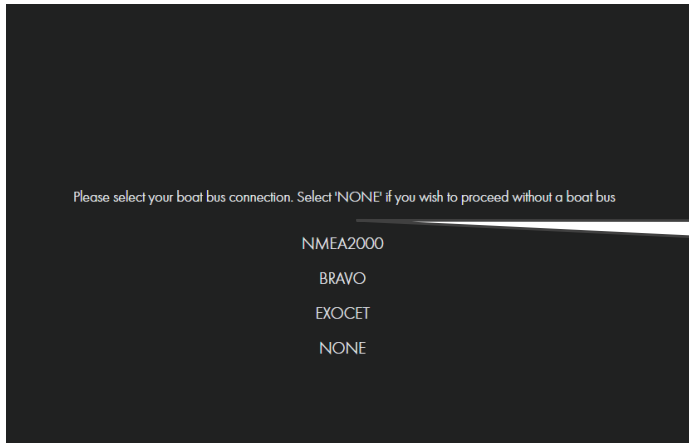
## STEP 2:



# SYSTEM SETUP

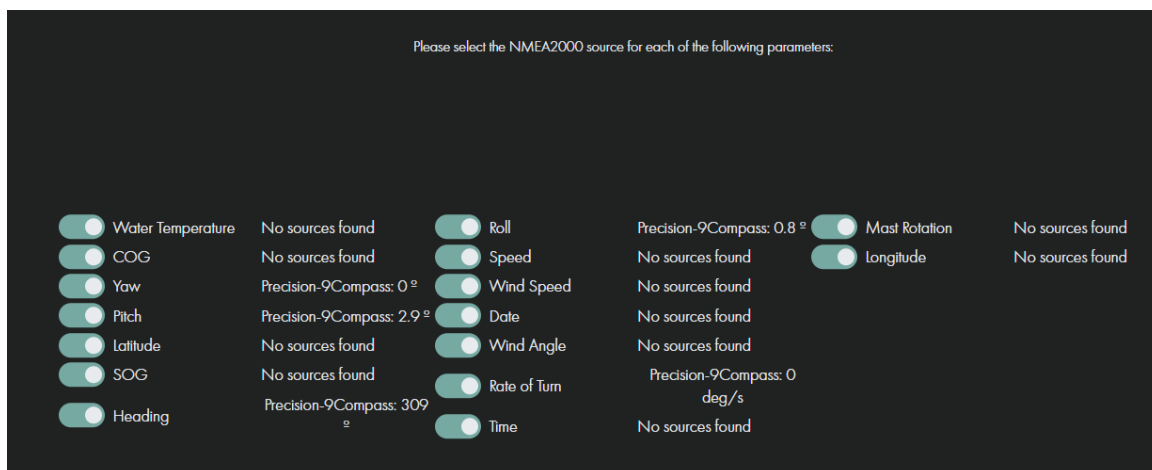
Setting -> System -> Setup -> Boat bus configuration:

## STEP 3:



Select boat network

## STEP 4:



Select data from boat network

## HELPFUL LINKS

- IPV4 setting:

<https://www.dropbox.com/s/83oaavk96k6c1yq/IPv4%20setting.mkv?dl=0>

- Camera setup:

<https://www.dropbox.com/s/y2nlz5a5cfg0o7o/Camera%20setup.mp4?dl=0>

**BSB MARINE Port la Forêt**  
29940 La Forêt-Fouesnant | France  
+33 (0) 298 514 000  
[service@bsb-marine.com](mailto:service@bsb-marine.com)